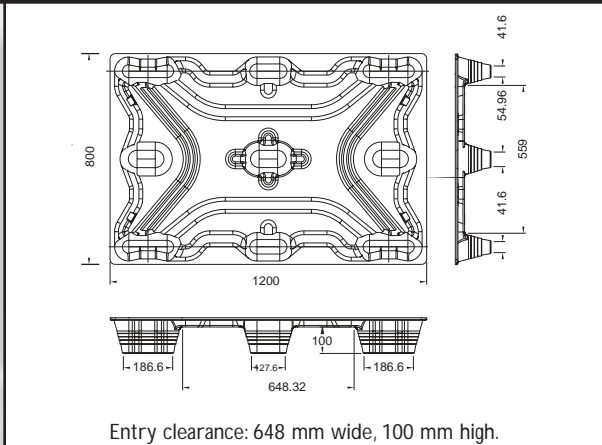
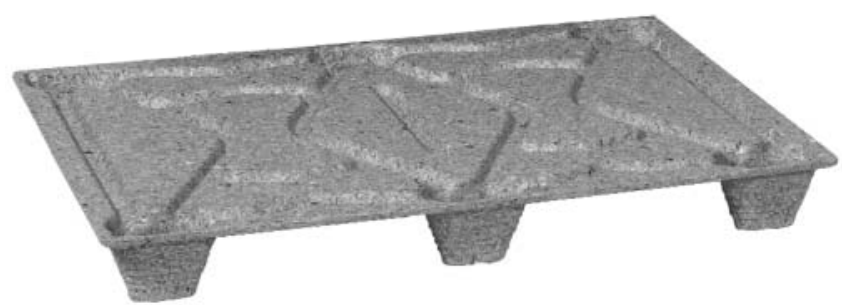


# F86 PALLETS

800 X 1200 MM

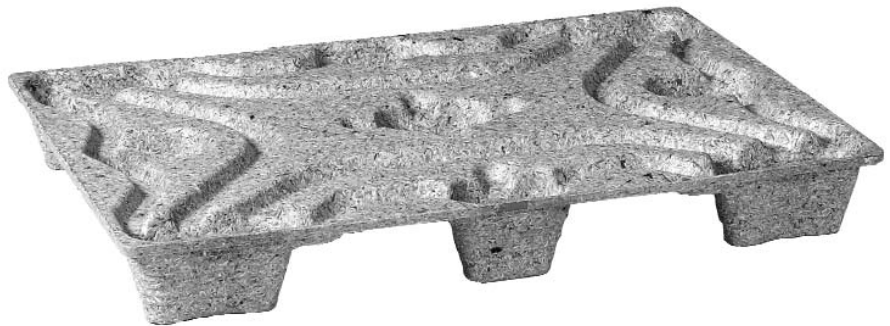
- Dynamic load:**  
F86 = 350 kg.
- Static load:**  
± 3 x dynamic load.
- Deadweight:**  
F86 = 8,5 kg.
- Packed per:**  
60, height 1,75 m.

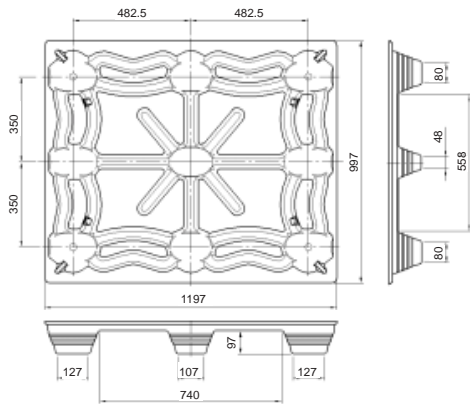


# F8LF2 PALLETS

800 X 1200 MM

- Dynamic load:**  
F8LF2 = 900 kg. F8LF2/S 1250 kg.
- Static load:**  
± 3 x dynamic load.
- Deadweight:**  
F8LF2 = 9 kg. F8LF2/S = 12 kg.
- Packed per:**  
50, height 2,00 m.

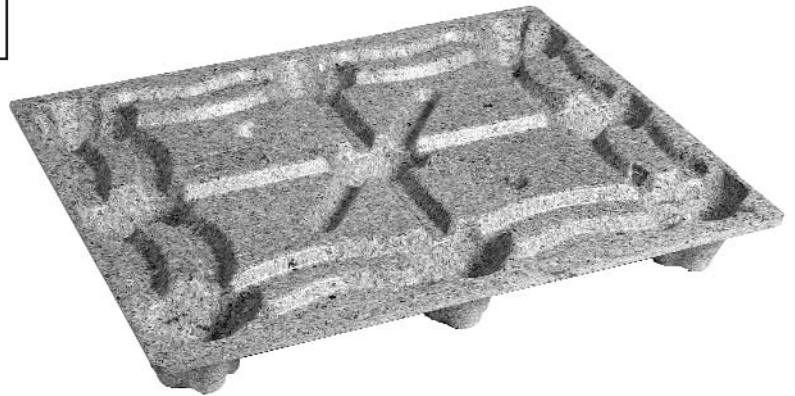




Entry clearance: 740 mm wide, 97 mm high.

## F10/2 PALLETS

1000 X 1200 MM



**Dynamic load:**

F10/2 = 900 kg. F10/2/S = 1250 kg.

**Static load:**

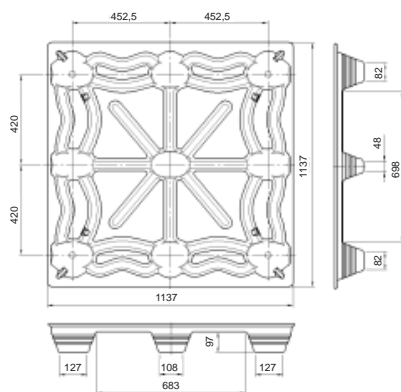
± 3 x dynamic load.

**Deadweight:**

F10/2 = 14,5 kg. F10/2/S = 18 kg.

**Packed per:**

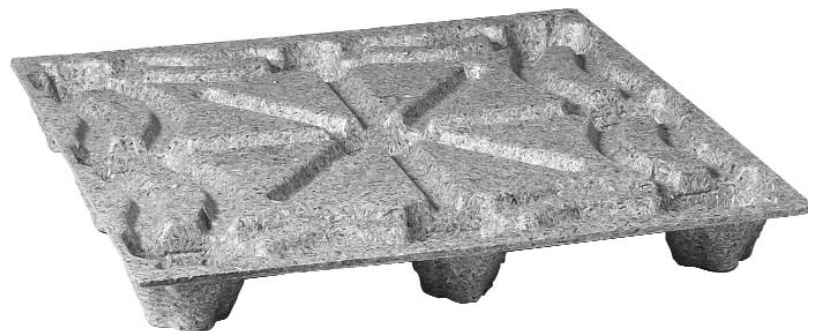
50, height 2,00 m.



Entry clearance: 683 mm wide, 97 mm high.

## F11 PALLETS

1140 X 1140 MM



**Dynamic load:**

F11 = 900 kg. F11/S = 1250 kg.

**Static load:**

± 3 x dynamic load.

**Deadweight:**

F11 = 14 kg. F11/S = 19 kg.

**Packed per:**

50, height 2,25 m.