

Entry clearance: 310 mm wide, 95 mm high.

Dynamic load:

F44 = 250 kg.

Static load:

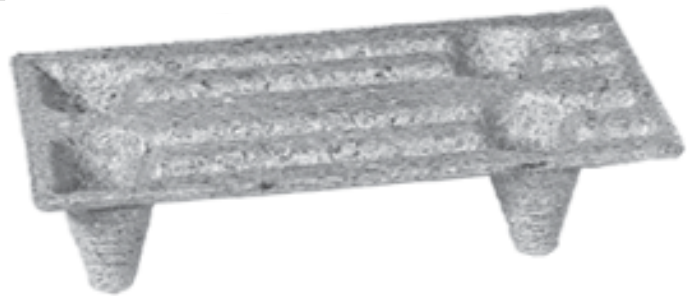
± 3 x dynamic load.

Deadweight:

3 kg.

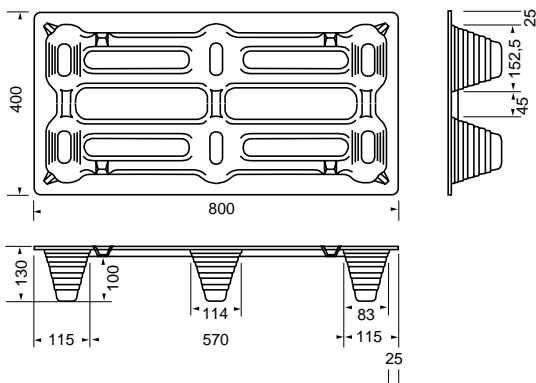
Packed per:

220, height 2,00 m.



F36 PALLETS

400 X 800 MM



Entry clearance: 570 mm wide, 100 mm high.

Dynamic load:

F36 = 500 kg. F36/S = 1000 kg.

Static load:

± 3 x dynamic load.

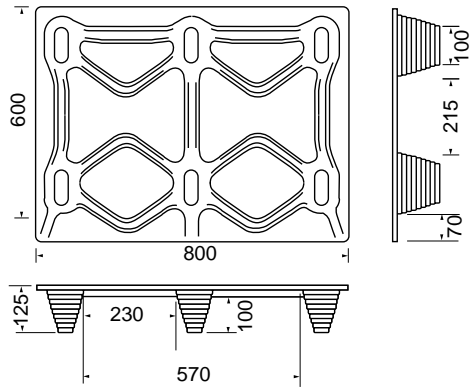
Deadweight:

F36 = 3 kg. F36/S = 4,5 kg.

Packed per:

180, height 1,90 m.





Entry clearance: 570 mm wide, 100 mm high.

F64 PALLETS

600 X 800 MM

Dynamic load:

F64 = 500 kg. F64/S = 1000 kg.

Static load:

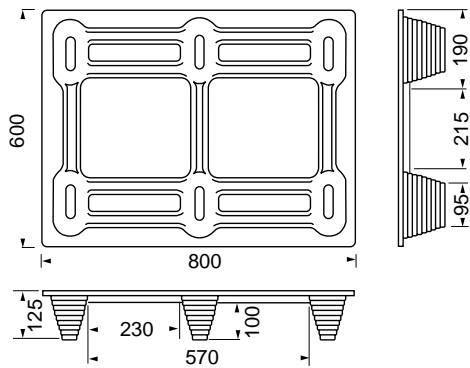
± 3 x dynamic load

Deadweight:

F64 = 5 kg. F64/S = 5,5 kg.

Packed per:

120, height 1,95 m.



Entry clearance: 570 mm wide, 100 mm high.

F66 PALLETS

600 X 800 MM

Dynamic load:

F66 = 500 kg. F66/S = 1000 kg.

Static load:

± 3 x dynamic load

Deadweight:

F66 = 5 kg. F66/S = 5,5 kg.

Packed per:

120, height 1,95 m.

